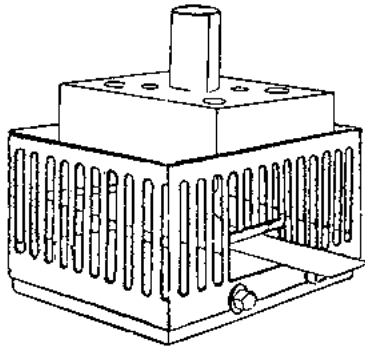


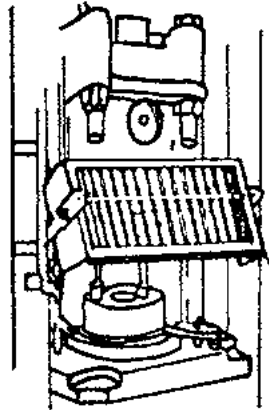
Punch Presses

Unguarded punch press operations have long been responsible for numerous and serious employee injuries. However, no longer should it be necessary or permissible to expose employees to unguarded press operations. Today, there are effective point of operation guarding methods for practically every setup. The proper type of guarding arrangement will not only prevent punch press accidents but will also result in improved operating efficiency. The following are typical punch press guarding methods:

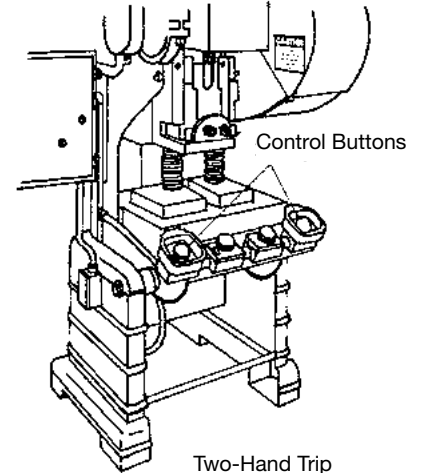
The proper type of guarding arrangement will not only prevent punch press accidents but will also result in improved operating efficiency.



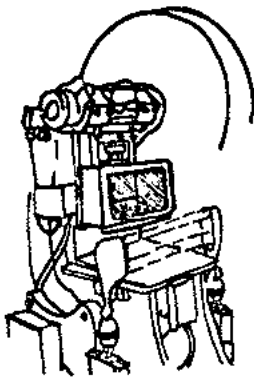
Enclosure Guard



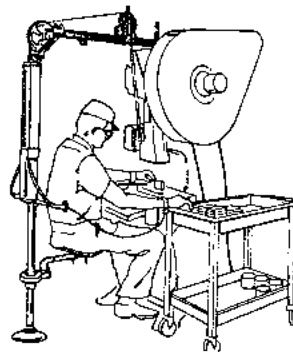
Gate guard on punch press. Guard is interlocked with tripping device of press so that plunger cannot descend until gate is in closed position.



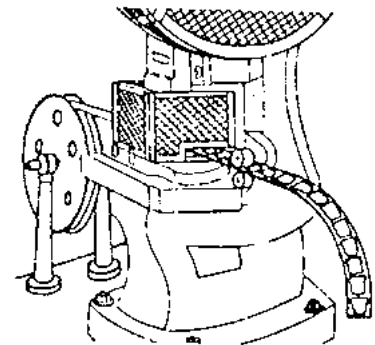
Two-Hand Trip



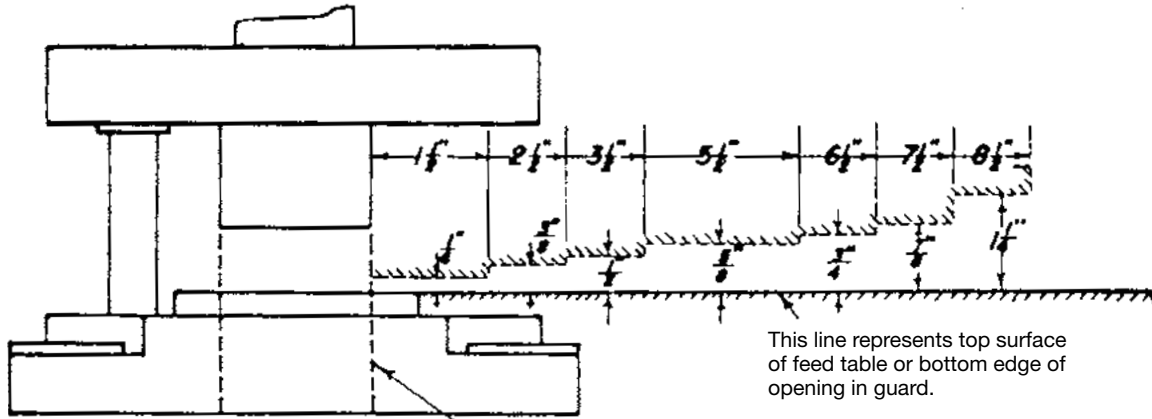
Electronic Beam prevents operation of press while operator's hands are in the danger zone. Should not be used on positive clutch presses where ram continues its stroke after tripping of press.



Hand Removal Guard. Operator's hands are pulled away from danger zone before ram descends.



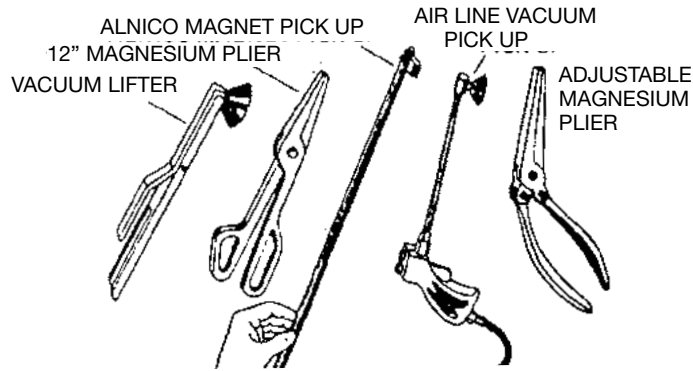
Automatic feed. Stock is fed automatically to plunger, operator required only to restock feeding device.



This line represents top surface of feed table or bottom edge of opening in guard.

Limited Opening. If ram stroke is limited to 1/4 inch, enclosure is unnecessary. When enclosure of die is necessary, size of openings should not exceed that shown for various distances.

Special Tools. The use of specially designed hand-tools for placing material into the press will provide additional protection.



The information presented in this publication is intended to provide guidance and is not intended as a legal interpretation of any federal, state or local laws, rules or regulations applicable to your business. The loss prevention information provided is intended only to assist policyholders in the management of potential loss producing conditions involving their premises and/or operations based on generally accepted safe practices. In providing such information, Great American does not warrant that all potential hazards or conditions have been evaluated or can be controlled. It is not intended as an offer to write insurance for such conditions or exposures. The liability of Great American Insurance Company and its affiliated insurers is limited to the terms, limits and conditions of the insurance policies underwritten by any of them.

The Great American Insurance Group eagle logo and the word marks Great American® and Great American Insurance Group® are registered service marks of Great American Insurance Company. © 2016 Great American Insurance Company. All rights reserved. Great American Insurance Group, 301 E. Fourth St., Cincinnati, OH 45202. F13356B-LP (2/16)

